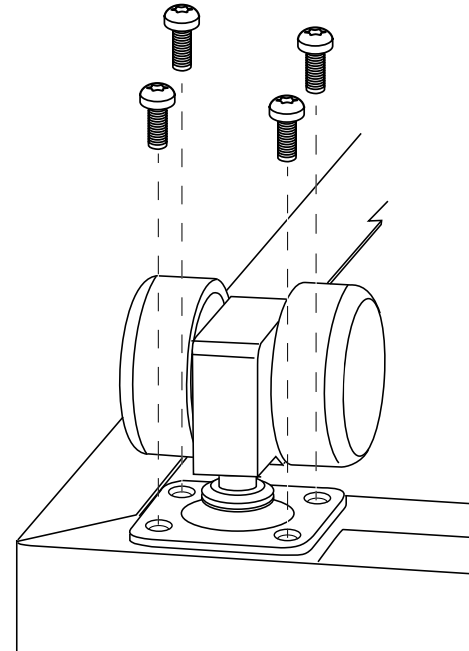


Caster Installation:

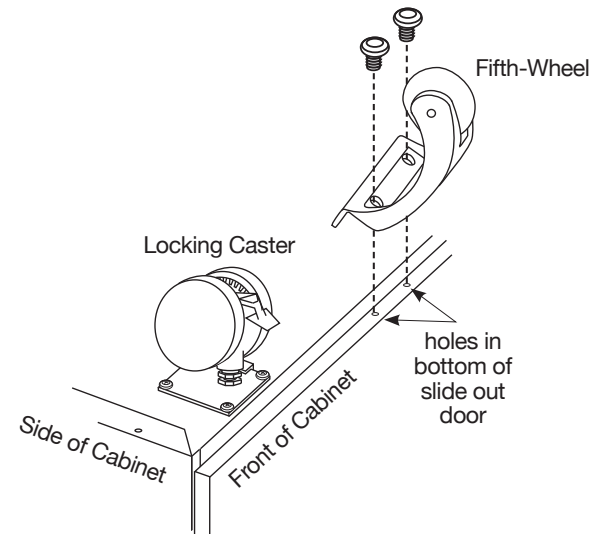
1. Remove the caster kit from the drawer, the casters with the brakes go on the front.
2. Lay the cabinet on its back.
3. Align the 4 holes in the caster mounting plate with the holes in the bottom of the cabinet.
4. Using a power drill, install 1 screw in each screw hole; repeat steps 3-4 for the rest of the casters.



Fifth-Wheel Installation:

Not included with all products

1. Remove (2) screws from the caster kit.
2. Place fifth-wheel on top of holes on bottom of drawer. The holes in the bottom of the slide out door will only line up with the holes in the fifth wheel when the fifth-wheel is installed properly (see illustration to the right).
3. Screw in the (2) screws with a HAND screw driver so as not to over-power and damage the product.



Tool(s) needed:



Torx hand screw driver

Optional Tools:



torx t20 bit



power drill

Part(s) included:



torx t20 screw