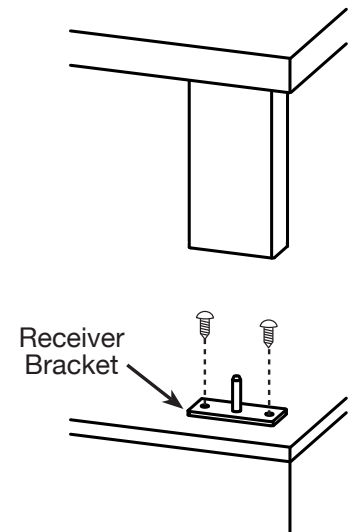
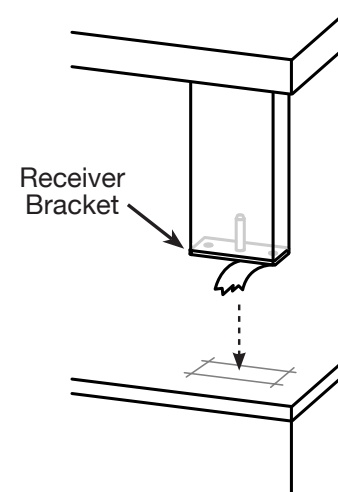
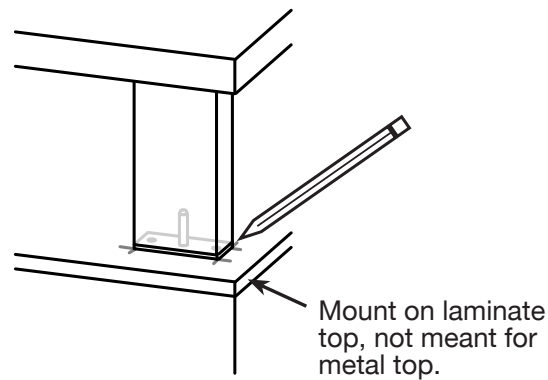
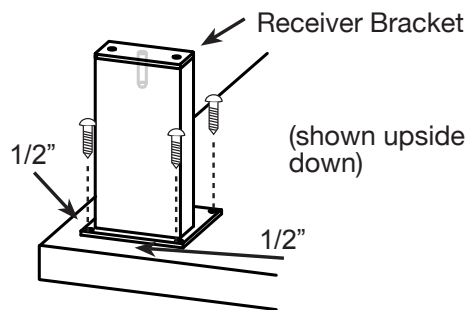
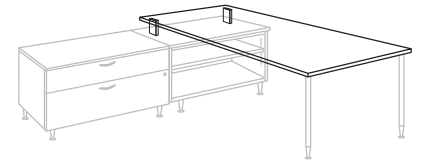
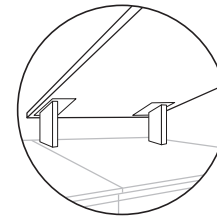


1. Mount floating top foot assembly x (2) with a 1/2" inset from each side to the work surface with (4) 1" wood screws.
2. Position work surface over lower Cayenne cabinet and stencil around lower receiver bracket as shown.
3. Remove work surface with care. Attach lower receiver bracket with double sided tape to the cabinet top using the stencil mark as a guide.
4. Note: attaching the brackets with (2) 5/8" wood screws is meant to be a permanent type of installation. You should avoid this and use just the supplied tape if future reconfigurations are likely. Turn work surface over and carefully place floating top assemblies over guide pins as shown.



power drill



#2 Phillips



1" wood screw



5/8" wood screw



Phillips screw driver



double sided tape



Pencil