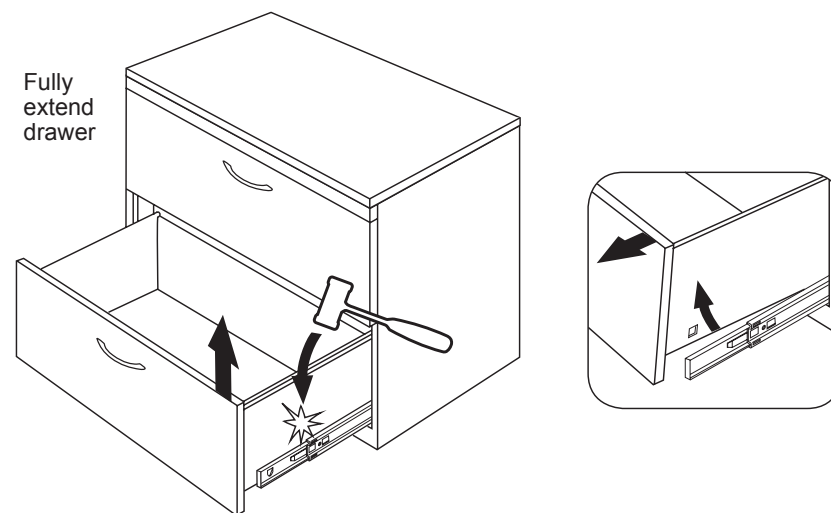


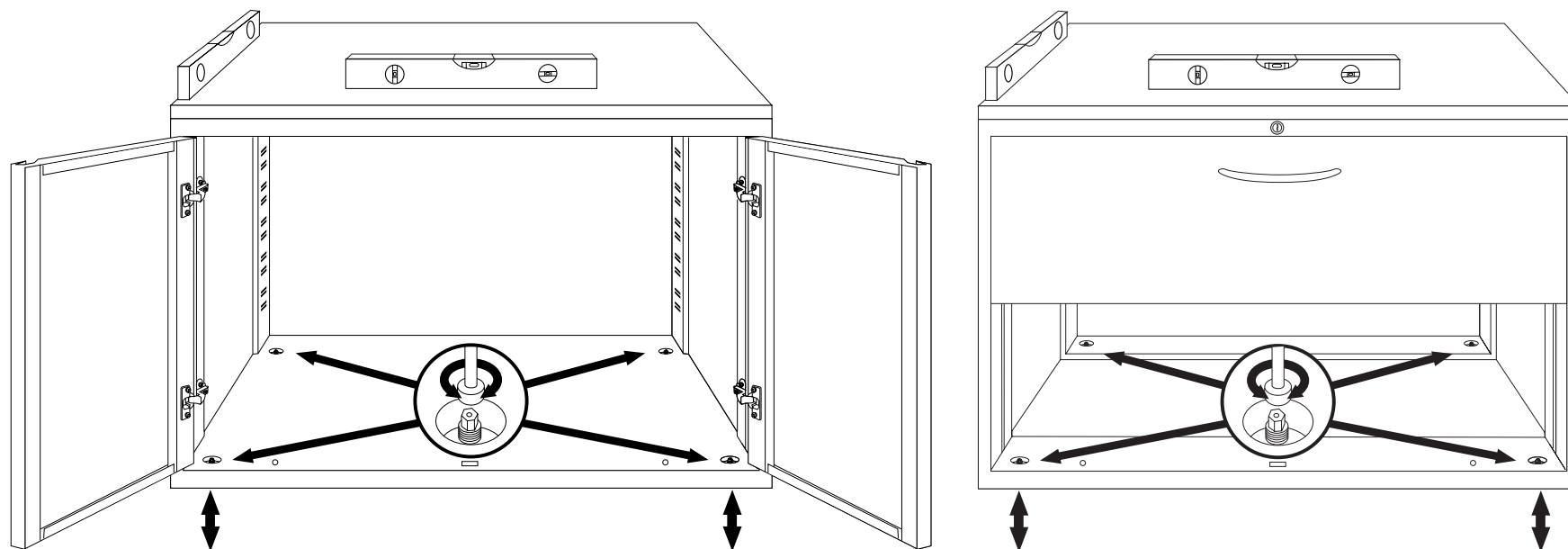
Access Leveling Glides

1. For lateral files, fully extend lower drawer. While lifting on drawer front, tap down on slide using a non-marring hammer to free drawer from slide.
2. When drawer is free from slide detent, rotate up and out.



Level the Unit

1. Leveling of the cabinet is critical to ensure proper function of the unit as well as maintaining and protecting its aesthetics.
2. Adjust leveling glides while checking with level both front-to-back and side-to-side.



non-marring hammer



1/4" hex socket



level