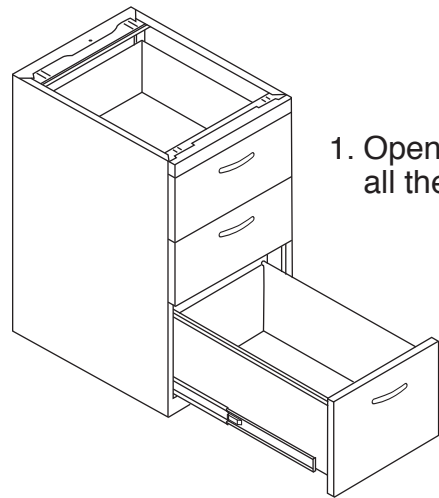
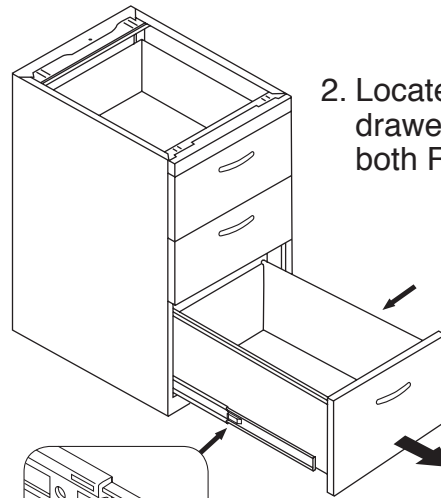


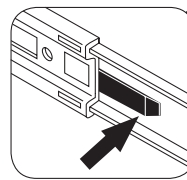
Remove Drawers



1. Open the drawer all the way.

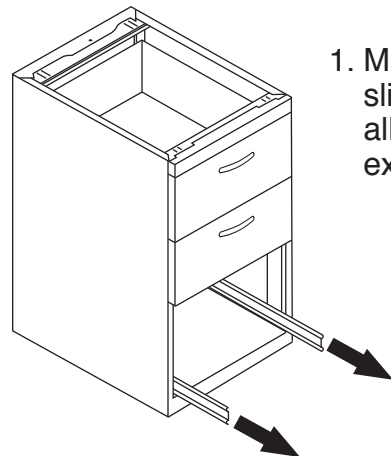


2. Locate disconnect levers. Pull drawer out while pressing in on both RH and LH levers.

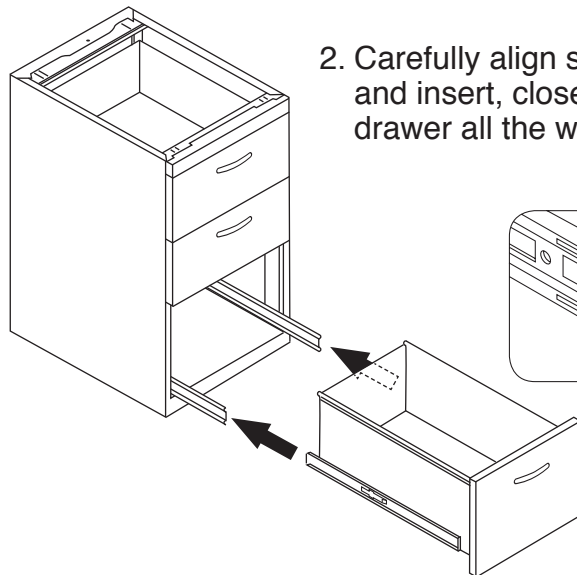


This procedure now applies to all drawers.

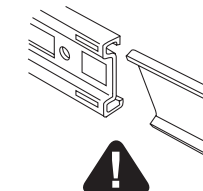
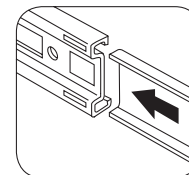
Install drawers:



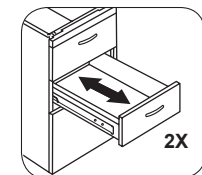
1. Make sure slides are all the way extended.



2. Carefully align slides and insert, close drawer all the way.



Failure to properly align can damage slide



3. Fully cycle drawer by opening and closing twice to reset stops.