



**LAMINATE LOCKERS  
PRICE BOOK**

Prices Effective December 1, 2018  
Revised September 13, 2019

[greatopenings.com](http://greatopenings.com)

**Updates and revisions to this book:**

Date	Page	Update
3/19/19		Discontinued Y Pull on all products.
3/26/19		Adjusted pricing for additional HPL shelves
7/18/19	4	Removed Black from TFL Listing



## **Specification Guide**

Laminate Program	4
Locks - Key-Alike Order Form	5
Lock Program/ Door Pulls	6

## **Laminate Lockers**

FAQs	7
Inside Dimensions	8
Lockers with Keyed Locks	9
Lockers with Electronic Locks	14
Common Laminate Tops	19
Locker Door Number Plates	19
Multi-Colored Door Ordering	20

## **Commercial Terms & Conditions 29**

### **Laminate Locker Dealer Price Book**

June, 2017

**Rev 03/29/2018**

Great Openings  
902 E. 4th Street  
Ludington, MI 49431

Customer Service:  
Phone: 888-712-8582  
Fax: 231-843-6373  
goorders@greatopenings.com

www.greatopenings.com  
Printed Literature: www.goliterature.com

# LAMINATE PROGRAM

## Thermal Fused Laminate (TFL)

Great Openings laminate lockers are available in the Thermal Fused Laminates (TFL) listed RIGHT. You'll find both TFL and HPL list prices for each locker in this price book. Generally, we require a 15 working day lead time for all standard TFL lockers.

### Specifications for (TFL) thermal fused laminate lockers:

- TFL is a cost effective, durable product that offers the same abrasion resistance as High Pressure Laminate yet slightly less impact resistance
- Two-sided decorative high pressure laminate, so the appearance is identical inside and out.
- California Air Regulation Board Compliant to Phase 2
- Finished thickness of TFL drawer fronts and doors is .78"
- Edge bands are .5mm
- Formica TFL's do not include a suffix to indicate finish; a "closest possible" finish to match that of the corresponding HPL will be used

Thermal Fused Laminate (TFL) & Matching Edge Band	GO Part #	Brand/Part #
Bleached Legno	M-B4B4	Formica® M-8845
Cocoa Maple		Formica® M-7739
Neutral Twill	M-NNNN	Formica® M-8826
Pencil Wood		Formica® M-7747
Prestige Walnut		Formica® M-6209
Select Cherry		Formica® M-7759
White Twill		Formica® M-9285
Frosty White		Wilsonart® M1573-60
Fashion Grey	M-FGFG	Wilsonart® M-D381-60
Fonthill Pear		Wilsonart® M-10745-60
Fusion Maple		Wilsonart® M-7909-60
Kensington Maple	M-KMKM	Wilsonart® M-10776-60
Monticello Maple		Wilsonart® M-7925-38
Wild Cherry	M-WCWC	Wilsonart® M-7054-60

## High Pressure Laminate (HPL)

Great Openings laminate lockers are available in the High Pressure Laminate (HPL) listed below. You'll find both TFL and HPL list prices for each locker in this price book. Generally, we require a 25 working day lead time for all standard HPL lockers.

### Specifications for (HPL) high pressure laminate lockers:

- Industrial grade particleboard, two-sided decorative laminate overlay
- California Air Regulation Board Compliant to Phase 2.
- Finished thickness of vertical application drawer fronts and doors is .78"
- Edge bands are .5mm

High Pressure Laminate (HPL) & Matching Edge Band	GO Part #	Brand Part #
Bleached Legno	B4B4	Formica® 8845-58
Neutral Twill	NNNN	Formica® 8826-58
Sarum Twill	S8S8	Formica® 8827-58
Biltmore Cherry	BCBC	Wilsonart® 7924K-07
Black	BKBK	Wilsonart® 1595-60
Brighton Walnut	BGBG	Wilsonart® 7922K-07
Desert Zephyr	DZDZ	Wilsonart® 4841-60
Designer White	DWDW	Wilsonart® D354-60
Fashion Grey	FGFG	Wilsonart® D381-60
Grey Mesh	GYGY	Wilsonart® 4877-38
Kensington Maple	KMKM	Wilsonart® 10776-60
River Cherry	RHRH	Wilsonart® 7937-38
Shadow	SGSG	Wilsonart® D96-60
Slate Grey	DMGH	Wilsonart® D91-60
Steel Mesh	SLSL	Wilsonart® 4879-38
Wild Cherry	WCWC	Wilsonart® 7054-60

## CUSTOM LAMINATES

We welcome your requests for custom laminates or edge bands, which would be any laminate or edge band not listed above. We have access to Wilsonart, Formica, Nevamar, Pionite and many more. Please call Great Openings Sales for a quote.

# KEY-ALIKE ORDER FORM



Type or write in your requests. If you have typed in the form, save and email as an attachment to goorders@greatopenings.com. If you have filled out form by hand, please scan and email.

Date \_\_\_\_\_ Order Entry # \_\_\_\_\_  
 PO# \_\_\_\_\_ Notes \_\_\_\_\_

### CUSTOMER INFORMATION

Company \_\_\_\_\_  
 Contact Name \_\_\_\_\_  
 Address \_\_\_\_\_  
 City \_\_\_\_\_ State \_\_\_\_\_ Zip \_\_\_\_\_

### SHIPPING INFORMATION

Company \_\_\_\_\_  
 Address \_\_\_\_\_  
 City \_\_\_\_\_ State \_\_\_\_\_ Zip \_\_\_\_\_

**CORE KEY**  UM  LL  Knoll  SL Quantity \_\_\_\_\_

**KEYED ALIKE**

_____ Sets of _____ keyed alike	_____ Sets of _____ keyed alike
_____ Sets of _____ keyed alike	_____ Sets of _____ keyed alike
_____ Sets of _____ keyed alike	_____ Sets of _____ keyed alike
_____ Sets of _____ keyed alike	_____ Sets of _____ keyed alike
_____ Sets of _____ keyed alike	_____ Sets of _____ keyed alike

### TAGGED AND LABELED KEY SETS




Line	Type	Core Number	Quantity	Tagging Information
1				
2				
3				
4				
5				
6				
7				
8				
9				
10				
11				
12				

### Key-Alike Process and Charges:

- Your key-alike request can be ordered on the original purchase order or under separate cover.
- Key-alike requests for the UM, SL, LL and K Series locks are processed at no charge as long as the quantity of key/core sets match the quantity of cabinets.
- When including the UM, SL, and LL Series locks, products will be shipped with randomly assigned cores/keys. Your key-alike requests for all lock series will be shipped separately and labeled to allow for easy change-out in the field, after the product is installed.
- A core-removal key is provided at no charge with each key-alike request.
- Additional keys, cores, master keys, and core keys may be purchased separately. The cost is \$3 net per item, plus \$15 net for shipping costs.

When ordering products to be keyed-alike, include this Key Order Form with your purchase order. An electronic version of this form can be found at [greatopenings.com](http://greatopenings.com) under "Resources".

# LOCK PROGRAM/DOOR PULLS

	UM (our standard lock)	LL	SL
			
	Black Patent	Satin Nickel, Scalloped	Grey Scalloped
<b>Compatible with which other Manufacturers?</b>	Herman Miller	None	Haworth SL
<b>Interchangeable with other manufacturers' locks?</b>	Interchangeable key and core	N/A	Interchangeable key and core
<b>Description</b>	As standard, all GO products are shipped with a randomly-assigned UM lock, which is black, master-keyed, and core removable	The LL lock is master-keyed and core removable	<b>There is no master-key available for SL locks</b>
<b>How to order</b>	No special instructions are needed No extra charge	You must clearly specify "LL Series Locks" on your purchase order No extra charge	You must clearly specify "Haworth SL Series Locks" on your purchase order No extra charge
<b>Key # range</b>	226 to 425 (408 & 412 not available)	226 to 325	1 to 300
<b>When shipped....</b>	UM core and key are randomly assigned	LL core and key are randomly assigned	SL core and key are randomly assigned
<b>Key alike service available? (cores and keys will ship separately)</b>	Yes, no charge Specify the desired key sequence on your PO, or specify "random"	Yes, no charge Specify the desired key sequence on your PO, or specify "random"	Yes, no charge Specify the desired key sequence on your PO, or specify "random"
<b>At installation....</b>	No extra steps are needed	No extra steps are needed	No extra steps are needed



## Hasp Locks

Can be ordered for a \$50.00 list upcharge per door.



Q: Bar Pull



S/N: Satin Nickel Pull



E: Integrated Electronic Lock Pull



## Basic Construction

- All Great Openings products meet or exceed applicable ANSI-BIFMA standards for durability and safety
- A 12 year warranty ensures long-lasting performance and after-sale support
- Leveling glides allow for 7/8" adjustment and are accessible from inside the locker
- Concealed door hinges allow for 100 degree opening
- The front-facing kick plate on laminate lockers is 3.25"

## Features

- 18" deep lockers include (2) two-pronged coat hooks, one per side
- All single door lockers include two clusters of shelf clip holes in the side panels, to accommodate additional shelves that are sold separately. One cluster near the top of the locker allows for 3" adjustability, with up to 12" clear height above the shelf. A second cluster near the bottom of the locker allows for 3" adjustability, with up to 8" clear height below the shelf
- Additional adjustable shelves are available for order on most locker styles
- Door may hinge left or right
- Lockers available with three lock options: keyed (UM is standard, and also available with LL, SL), and electronic locks
- Conventional keyed lockers are keyed randomly at the factory. Key alike service is available.

## Options and Accessories

- Locker door number plates
- Common laminate tops

## Keyed Locks

- Lockers come standard with randomly-assigned UM Series lockers (#226-425).
- UM locks are black-faced, master-keyed and core-removable
- You may arrange with Customer Service to have these locks keyed-alike in the field
- Other key series options are available, including bright nickel LL, Haworth SL.

## Electronic Locks

- All Great Openings lockers may be specified to include electronic locks rather than keyed locks. You'll find details starting on page 14

## Hasp Locks

- Hasp locks may be used instead of a keyed or electronic lock
- To order, specify "Hasp Lock" in the product description on your purchase order and add \$50 list per door to the keyed locker price

## Cleaning Laminate

This guide provides specific information to keep your Great Openings and Sparkeology products like new. With proper care, you can expect years of trouble-free use.

1. Apply a vinegar-and-water solution to a paper towel or a clean, lint-free microfiber cloth.
2. Gently wipe the surface to remove any surface dust. **Caution:** do not use furniture polish that contains waxes and oils on laminate surfaces. Do not use bleached-based cleaners on laminate as it may discolor. Do not use hard bristle brushes that may scratch the surface.
3. To spot clean laminate, use a mild soap-and-water solution or Windex®.
4. Rub the soiled area in the direction of the grain. If no grain is present, rub in a circular motion.

## Can I Customize?

- Lockers with special heights, widths and depths are one of our specialties!
- Minimum quantities are required, call Sales for details



UM Series (Standard)



LL Series



SL Series



E-Lock



Hasp Lock

# INSIDE LOCKER DIMENSIONS

SEE PAGE 4 FOR LAMINATES

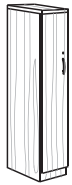
	Inner Height	Inner Width	Inner Depth
<b>12" Wide Single Locker, 18" Deep</b>			
39-7/8" high	35.875"	10.580"	17.156"
51-3/8" high	47.375"	10.580"	17.156"
Above Shelf	12.000"	10.580"	17.156"
65-7/8" high	61.875"	10.580"	17.156"
Above Shelf	12.000"	10.580"	17.156"
<b>12" Wide Single Locker, 24" Deep</b>			
39-7/8" high	35.875"	10.580"	23.156"
51-3/8" high	47.375"	10.580"	23.156"
Above Shelf	12.000"	10.580"	23.156"
65-7/8" high	61.875"	10.580"	23.156"
Above Shelf	12.000"	10.580"	23.156"
<b>12" Wide Double Locker, 18" Deep</b>			
Top Locker	30.828"	10.580"	17.156"
Bottom Locker	30.279"	10.580"	17.156"
<b>12" Wide Double Locker, 24" Deep</b>			
Top Locker	30.828"	10.580"	23.156"
Bottom Locker	30.279"	10.580"	23.156"
<b>18" Wide Single Locker, 18" Deep</b>			
39-7/8" high	35.875"	16.580"	17.156"
51-3/8" high	47.375"	16.580"	17.156"
Above Shelf	12.000"	16.580"	17.156"
65-7/8" high	61.875"	16.580"	17.156"
Above Shelf	12.000"	16.580"	17.156"
<b>18" Wide Single Locker, 24" Deep</b>			
39-7/8" high	35.875"	16.580"	23.156"
51-3/8" high	47.375"	16.580"	23.156"
Above Shelf	12.000"	16.580"	23.156"
65-7/8" high	61.875"	16.580"	23.156"
Above Shelf	12.000"	16.580"	23.156"
<b>18" Wide Double Locker, 18" Deep</b>			
Top Locker	30.828"	16.580"	17.156"
Bottom Locker	30.279"	16.580"	17.156"
<b>18" Wide Double Locker, 24" Deep</b>			
Top Locker	30.828"	16.580"	23.156"
Bottom Locker	30.279"	16.580"	23.156"
<b>Multi-Purpose Locker</b>			
65-7/8" high	61.875"	16.580"	17.156"
Above Shelf	12.000"	16.580"	17.156"
<b>Quad Locker</b>			
Top Lockers	30.828"	10.580"	17.156"
Bottom Lockers	30.279"	10.580"	17.156"
<b>Single Width Cubby Locker</b>			
	14.750"	10.580"	17.156"
<b>Double Width Cubby Locker</b>			
	14.750"	10.580"	17.156"



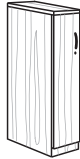
# 12" LAMINATE LOCKERS WITH KEYED LOCKS

SEE PAGE 4 FOR LAMINATES

## Laminate 12" Wide Single Locker



65-7/8" H  
18" D  
Hinge Left



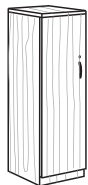
51-3/8" H  
24" D  
Hinge Left

- All 18" deep lockers include (2) two-pronged coat hooks, one on each side. All 24" deep lockers include (1) side-to-side coat rod
- The 51-3/8" and 65-7/8" high lockers include one adjustable shelf on top, with up to 12" clear height above the shelf
- 27-3/4" high lockers include one adjustable shelf, but no coat rod or hooks
- 39-7/8" high lockers do not include any shelves

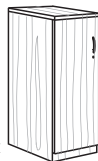
H	D	W	Hinge Location	Pkg Wt	Pkg Cube	Part #	Front Style	Part #	Lam/Edge #	TFL Price	HPL Price
39-7/8	18	12	left	55 lb	6.5 ft	WLU	?	3P28	?	\$1,169	\$1,423
39-7/8	18	12	right	55 lb	6.5 ft	WRU	?	3P28	?	\$1,169	\$1,423
39-7/8	24	12	left	66 lb	8.8 ft	WLU	?	8P28	?	\$1,189	\$1,448
39-7/8	24	12	right	66 lb	8.8 ft	WRU	?	8P28	?	\$1,189	\$1,448
51-3/8	18	12	left	69 lb	8.24 ft	WLU	?	7M28	?	\$1,418	\$1,725
51-3/8	18	12	right	69 lb	8.24 ft	WRU	?	7M28	?	\$1,418	\$1,725
51-3/8	24	12	left	83 lb	11 ft	WLU	?	6M28	?	\$1,483	\$1,805
51-3/8	24	12	right	83 lb	11 ft	WRU	?	6M28	?	\$1,483	\$1,805
65-7/8	18	12	left	82 lb	11 ft	WLU	?	1N28	?	\$1,453	\$1,769
65-7/8	18	12	right	82 lb	11 ft	WRU	?	1N28	?	\$1,453	\$1,769
65-7/8	24	12	left	100 lb	14.3 ft	WLU	?	9M28	?	\$1,519	\$1,849
65-7/8	24	12	right	100 lb	14.3 ft	WRU	?	9M28	?	\$1,519	\$1,849
(2) 18d x 12w adjustable shelves				2.5 lb	1 ft			WALT21218	?	\$261	\$301
(2) 24d x 12w adjustable shelves				4 lb	1.5 ft			WALT21224	?	\$281	\$324

Available Fronts Q | S

## Laminate 18" Wide Single Locker



65-7/8" H  
18" D  
Hinge Left



51-3/8" H  
24" D  
Hinge Left

- All 18" deep lockers include (2) two-pronged coat hooks, one on each side. All 24" deep lockers include (1) side-to-side coat rod
- The 51-3/8" and 65-7/8" high lockers include one adjustable shelf on top, with up to 12" clear height above the shelf
- 39-7/8" high lockers do not include any shelves

H	D	W	Hinge Location	Pkg Wt	Pkg Cube	Part #	Front Style	Part #	Lam/Edge #	TFL Price	HPL Price
39-7/8	18	18	left	64 lb	9.7 ft	WLU	?	9P28	?	\$1,181	\$1,490
39-7/8	18	18	right	64 lb	9.7 ft	WRU	?	9P28	?	\$1,181	\$1,490
39-7/8	24	18	left	77 lb	12.6 ft	WLU	?	7P28	?	\$1,221	\$1,539
39-7/8	24	18	right	77 lb	12.6 ft	WRU	?	7P28	?	\$1,221	\$1,539
51-3/8	18	18	left	78 lb	12 ft	WLU	?	1P28	?	\$1,429	\$1,802
51-3/8	18	18	right	78 lb	12 ft	WRU	?	1P28	?	\$1,429	\$1,802
51-3/8	24	18	left	89 lb	16.1 ft	WLU	?	9N28	?	\$1,500	\$1,891
51-3/8	24	18	right	89 lb	16.1 ft	WRU	?	9N28	?	\$1,500	\$1,891
65-7/8	18	18	left	93 lb	15.2 ft	WLU	?	8N28	?	\$1,668	\$2,104
65-7/8	18	18	right	93 lb	15.2 ft	WRU	?	8N28	?	\$1,668	\$2,104
65-7/8	24	18	left	112 lb	20.4 ft	WLU	?	7N28	?	\$1,746	\$2,202
65-7/8	24	18	right	112 lb	20.4 ft	WRU	?	7N28	?	\$1,746	\$2,202
(2) 18d x 18w adjustable shelves				2.5 lb	1 ft			WALT21818	?	\$284	\$327
(2) 24d x 18w adjustable shelves				4 lb	1.5 ft			WALT21824	?	\$306	\$353

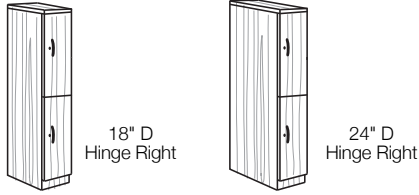
Available Fronts Q | S

# 18" LAMINATE LOCKERS WITH KEYED LOCKS

SEE PAGE 4 FOR LAMINATES

## Laminate 12" Wide Double Locker

- Double Door lockers do not include shelves. If desired, adjustable shelves may be ordered separately
- Both doors hinge together, either left or right
- Each locker compartment includes (2) two-pronged coat hooks, one per side
- The two locker doors are keyed randomly in the factory

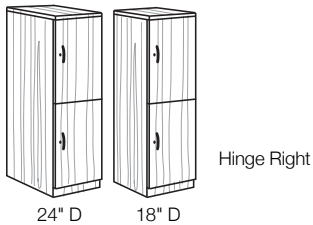


H	D	W	Hinge Location	Pkg Wt	Pkg Cube	Part #	Front Style	Part #	Lam/Edge #	TFL Price	HPL Price
65-7/8	18	12	left	83 lb	11 ft	WLU	?	3NH7	?	\$1,672	\$2,035
65-7/8	18	12	right	83 lb	11 ft	WRU	?	3NH7	?	\$1,672	\$2,035
65-7/8	24	12	left	101 lb	14.3 ft	WLU	?	2NH7	?	\$1,738	\$2,115
65-7/8	24	12	right	101 lb	14.3 ft	WRU	?	2NH7	?	\$1,738	\$2,115
(2) 18d x 12w adjustable shelves				2.5 lb	1 ft			WALT21218	?	\$261	\$301
(2) 24d x 12w adjustable shelves				4 lb	1.5 ft			WALT21224	?	\$281	\$324

Available Fronts  Q | S

## Laminate 18" Wide Double Locker

- Double Door lockers do not include shelves. If desired, adjustable shelves may be ordered separately
- Both doors hinge together, either left or right
- Each locker compartment includes (2) two-pronged coat hooks, one per side
- The two locker doors are keyed randomly in the factory



H	D	W	Hinge Location	Pkg Wt	Pkg Cube	Part #	Front Style	Part #	Lam/Edge #	TFL Price	HPL Price
65-7/8	18	18	left	94 lb	15.2 ft	WLU	?	2PH7	?	\$1,744	\$2,199
65-7/8	18	18	right	94 lb	15.2 ft	WRU	?	2PH7	?	\$1,744	\$2,199
65-7/8	24	18	left	115 lb	20.4 ft	WLU	?	8SH7	?	\$1,813	\$2,286
65-7/8	24	18	right	115 lb	20.4 ft	WRU	?	8SH7	?	\$1,813	\$2,286
(2) 18d x 18w adjustable shelves				3 lb	1.5 ft			WALT21818	?	\$284	\$327
(2) 24d x 18w adjustable shelves				4 lb	1.5 ft			WALT21824	?	\$306	\$353

Available Fronts  Q | S

# LAMINATE LOCKERS WITH KEYED LOCKS

SEE PAGE 4 FOR LAMINATES

## Laminate Quad Locker

- Quad lockers do not include shelves. If desired, adjustable shelves may be ordered separately
- Each locker compartment includes (2) two-pronged coat hooks, one per side
- The four locker doors are keyed randomly in the factory
- The four locker doors hinge together, either left or right



Hinge Left

H	D	W	Hinge Location	Pkg Wt	Pkg Cube	Part #	Front Style	Part #	Lam/Edge #	TFL Price	HPL Price
65-7/8	18	24	left	142 lb	20.5 ft	WLU	?	4NJ7	?	\$2,371	\$2,887
65-7/8	18	24	right	142 lb	20.5 ft	WRU	?	4NJ7	?	\$2,371	\$2,887
			(2) 18d x 12w adjustable shelves	2.5 lb	1 ft			WALT21218	?	\$261	\$301
			(2) 24d x 12w adjustable shelves	4 lb	1.5 ft			WALT21224	?	\$281	\$324

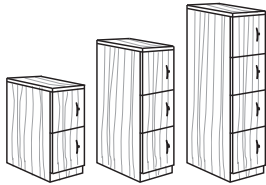
Available Fronts Q | S

# LAMINATE CUBBY LOCKERS WITH KEYED LOCKS

SEE PAGE 4 FOR LAMINATES

## Laminate Single Wide Cubby Locker

- Cubby locker doors are keyed randomly in the factory
- All Cubby locker doors hinge together, either left or right



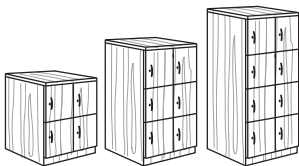
Hinge Left

H	D	W	Doors	Hinge Location	Pkg Wt	Pkg Cube	Part #	Front Style	Part #	Lam/Edge #	TFL Price	HPL Price
34-3/4	18	12	2 doors	left	50 lb	5.9 ft	WLU	?	6JT7	?	\$1,298	\$1,580
34-3/4	18	12	2 doors	right	50 lb	5.9 ft	WRU	?	6JT7	?	\$1,298	\$1,580
50-3/8	18	12	3 doors	left	70 lb	8.4 ft	WLU	?	5HT3	?	\$1,531	\$1,864
50-3/8	18	12	3 doors	right	70 lb	8.4 ft	WRU	?	5HT3	?	\$1,531	\$1,864
65-7/8	18	12	4 doors	left	89 lb	11 ft	WLU	?	5JT6	?	\$1,873	\$2,280
65-7/8	18	12	4 doors	right	89 lb	11 ft	WRU	?	5JT6	?	\$1,873	\$2,280

Available Fronts  Q | S

## Laminate Double Wide Cubby Locker

- Cubby locker doors are keyed randomly in the factory
- All Cubby locker doors hinge together, either left or right



Hinge Right

H	D	W	Doors	Hinge Location	Pkg Wt	Pkg Cube	Part #	Front Style	Part #	Lam/Edge #	TFL Price	HPL Price
34-3/4	18	24	4 doors	left	88 lb	11 ft	WLU	?	9HN7	?	\$1,911	\$2,461
34-3/4	18	24	4 doors	right	88 lb	11 ft	WRU	?	9HN7	?	\$1,911	\$2,461
50-3/8	18	24	6 doors	left	119 lb	15.7 ft	WLU	?	8HT1	?	\$2,348	\$3,023
50-3/8	18	24	6 doors	right	119 lb	15.7 ft	WRU	?	8HT1	?	\$2,348	\$3,023
65-7/8	18	24	8 doors	left	150 lb	20.5 ft	WLU	?	7HN6	?	\$2,848	\$3,681
65-7/8	18	24	8 doors	right	150 lb	20.5 ft	WRU	?	7HN6	?	\$2,848	\$3,681

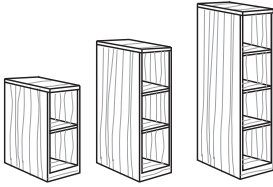
Available Fronts  Q | S

# LAMINATE LOCKERS - OPEN CUBBYS

SEE PAGE 4 FOR LAMINATES

## Laminate Single Wide Open Cubby Locker

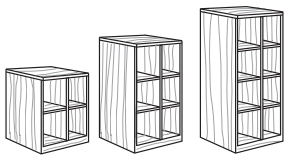
- When ganging lockers together side-by-side, use the locator holes provided. On both the left and right sides of the locker, two holes are hidden behind the top shelf and two more are hidden beneath removable bottom pan



H	D	W	Openings	Pkg Wt	Pkg Cube	Part #	TFL Price	HPL Price
34-3/4	18	12	2	45 lb	5.9 ft	W 7RV5	\$1,095	\$1,350
50-3/8	18	12	3	62 lb	8.4 ft	W 5HW3	\$1,239	\$1,550
65-7/8	18	12	4	75 lb	11 ft	W 5JW4	\$1,439	\$1,827

## Laminate Double Wide Open Cubby Locker

- When ganging lockers together side-by-side, use the locator holes provided. On both the left and right sides of the locker, two holes are hidden behind the top shelf and two more are hidden beneath removable bottom pan



H	D	W	Openings	Pkg Wt	Pkg Cube	Part #	TFL Price	HPL Price
34-3/4	18	24	4	80 lb	11 ft	W 9HW5	\$1,598	\$2,040
50-3/8	18	24	6	110 lb	15.7 ft	W 8HW6	\$1,866	\$2,550
65-7/8	18	24	8	135 lb	20.5 ft	W 7HW7	\$2,228	\$3,065



## **GO Keyless!**

All Great Openings lockers may be ordered to include electronic locks rather than keyed locks. Durable and flexible, electronic locks are easily programmed to either fixed or revolving mode:

### **Fixed Mode:**

Once a code is created, that code remains in effect until the user changes it. To lock and unlock, simply enter the code and then turn the lever.

### **Revolving Mode:**

Also called hoteling or single use mode, the code is cleared after each complete locking cycle. To lock: enter a code and then turn the lever. To unlock: enter the same code and turn the lever. At this point the lock clears the code and is awaiting new input.

### **Electronic Lock Features**

- Once a code is entered, the lock is activated by turning the lever to the locked or unlocked position
- Runs on 2 AAA batteries (included)
- Operates using a 4- to-8 digit code
- A supervisor code is included
- May be programmed by supervisor as Fixed or Revolving Code
- Programmable reset features
- Easy to clean membrane keypad
- 75,000 plus cycles; extended battery life reduces replacement and labor/maintenance costs.

### **Warranty**

- Great Openings electronic locks are warranted for a period of one year from date of delivery.



Laminate lockers with electronic locks are available with one door pull option: E pull. The electronic lock itself is the door pull.

# 12" LOCKERS WITH ELECTRONIC LOCKS

SEE PAGE 4 FOR LAMINATES

## Laminate 12" Wide Single Locker Electronic Lock

- 51-3/8" and 65-7/8" high lockers include one adjustable shelf on top, with up to 12" clear height above the shelf
- 39-7/8" high lockers do not include any shelves
- 27-3/4" high lockers include one adjustable shelf, but no coat rod or hooks
- The 18" deep lockers include (2) two-pronged coat hooks, one on each side. The 24" deep lockers include (1) side-to-side coat rod

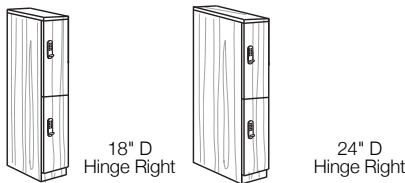


H	D	W	Hinge Location	Pkg Wt	Pkg Cube	Part #	Front Style	Part #	Lam/Edge #	TFL Price	HPL Price
39-7/8	18	12	left	55 lb	7.8 ft	WLE	?	3P28	?	\$1,569	\$1,910
39-7/8	18	12	right	55 lb	7.8 ft	WRE	?	3P28	?	\$1,569	\$1,910
39-7/8	24	12	left	66 lb	8.0 ft	WLE	?	8P28	?	\$1,588	\$1,933
39-7/8	24	12	right	66 lb	8.0 ft	WRE	?	8P28	?	\$1,588	\$1,933
51-3/8	18	12	left	69 lb	8.24 ft	WLE	?	7M28	?	\$1,817	\$2,212
51-3/8	18	12	right	69 lb	8.24 ft	WRE	?	7M28	?	\$1,817	\$2,212
51-3/8	24	12	left	83 lb	10.5 ft	WLE	?	6M28	?	\$1,882	\$2,292
51-3/8	24	12	right	83 lb	10.5 ft	WRE	?	6M28	?	\$1,882	\$2,292
65-7/8	18	12	left	82 lb	10.5 ft	WLE	?	1N28	?	\$1,852	\$2,256
65-7/8	18	12	right	82 lb	10.5 ft	WRE	?	1N28	?	\$1,852	\$2,256
65-7/8	24	12	left	100 lb	13.28 ft	WLE	?	9M28	?	\$1,919	\$2,303
65-7/8	24	12	right	100 lb	13.28 ft	WRE	?	9M28	?	\$1,919	\$2,303
			(2) 18d x 12w adjustable shelves	2.5 lb	1 ft			WALT21218	?	\$261	\$301
			(2) 24d x 12w adjustable shelves	4 lb	1.5 ft			WALT21224	?	\$281	\$324

Available Fronts E

## Laminate 12" Wide Double Locker Electronic Lock

- Double Door lockers do not include shelves. If desired, adjustable shelves may be ordered separately
- Both doors hinge together, either left or right
- Each locker compartment includes (2) two-pronged coat hooks, one per side
- The two locker doors are keyed randomly in the factory



H	D	W	Hinge Location	Pkg Wt	Pkg Cube	Part #	Front Style	Part #	Lam/Edge #	TFL Price	HPL Price
65-7/8	18	12	left	83 lb	11 ft	WLE	?	3NH7	?	\$2,471	\$3,008
65-7/8	18	12	right	83 lb	11 ft	WRE	?	3NH7	?	\$2,471	\$3,008
65-7/8	24	12	left	101 lb	14.3 ft	WLE	?	2NH7	?	\$2,537	\$3,088
65-7/8	24	12	right	101 lb	14.3 ft	WRE	?	2NH7	?	\$2,537	\$3,088
			(2) 18d x 12w adjustable shelves	2.5 lb	1 ft			WALT21218	?	\$261	\$301
			(2) 24d x 12w adjustable shelves	2.5 lb	1 ft			WALT21224	?	\$281	\$324

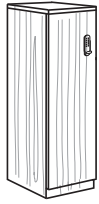
Available Fronts E

# 18" LOCKERS WITH ELECTRONIC LOCKS

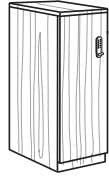
SEE PAGE 4 FOR LAMINATES

## Laminate 18" Wide Locker Electronic Lock

- 51-3/8" and 65-7/8" high lockers include one adjustable shelf on top, with up to 12" clear height above the shelf.
- 39-7/8" high lockers do not include any shelves
- The 18" deep lockers include (2) two-pronged coat hooks, one on each side. The 24" deep lockers include (1) side-to-side coat rod



65-7/8" H  
18" D  
Hinge Left



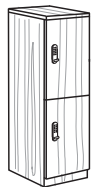
51-3/8" H  
24" D  
Hinge Left

H	D	W	Hinge Location	Pkg Wt	Pkg Cube	Part #	Front Style	Part #	Lam/Edge #	TFL Price	HPL Price
39-7/8	18	18	left	64 lb	9.7 ft	WLE	?	9P28	?	\$1,595	\$2,011
39-7/8	18	18	right	64 lb	9.7 ft	WRE	?	9P28	?	\$1,595	\$2,011
39-7/8	24	18	left	77 lb	12.6 ft	WLE	?	7P28	?	\$1,634	\$2,060
39-7/8	24	18	right	77 lb	12.6 ft	WRE	?	7P28	?	\$1,634	\$2,060
51-3/8	18	18	left	78 lb	12 ft	WLE	?	1P28	?	\$1,828	\$2,306
51-3/8	18	18	right	78 lb	12 ft	WRE	?	1P28	?	\$1,828	\$2,306
51-3/8	24	18	left	89 lb	16.1 ft	WLE	?	9N28	?	\$1,899	\$2,395
51-3/8	24	18	right	89 lb	16.1 ft	WRE	?	9N28	?	\$1,899	\$2,395
65-7/8	18	18	left	93 lb	15.2 ft	WLE	?	8N28	?	\$2,068	\$2,607
65-7/8	18	18	right	93 lb	15.2 ft	WRE	?	8N28	?	\$2,068	\$2,607
65-7/8	24	18	left	105 lb	20.4 ft	WLE	?	7N28	?	\$2,146	\$2,705
65-7/8	24	18	right	105 lb	20.4 ft	WRE	?	7N28	?	\$2,146	\$2,705
			(2) 18d x 18w adjustable shelves	3 lb	1 ft			WALT21818	?	\$284	\$327
			(2) 24d x 18w adjustable shelves	4 lb	1.5 ft			WALT21824	?	\$306	\$353

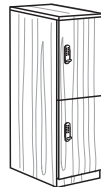
Available Fronts E

## Laminate 18" Wide Double Locker Electronic Lock

- Double Door lockers do not include shelves. If desired, adjustable shelves may be ordered separately
- Both doors hinge together, either left or right
- Each locker compartment includes (2) two-pronged coat hooks, one per side
- The two locker doors are keyed randomly in the factory



18" D  
Hinge Right



24" D  
Hinge Right

H	D	W	Hinge Location	Pkg Wt	Pkg Cube	Part #	Front Style	Part #	Lam/Edge #	TFL Price	HPL Price
65-7/8	18	18	left	94 lb	15.2 ft	WLE	?	2PH7	?	\$2,543	\$3,206
65-7/8	18	18	right	94 lb	15.2 ft	WRE	?	2PH7	?	\$2,543	\$3,206
65-7/8	24	18	left	115 lb	20.4 ft	WLE	?	8SH7	?	\$2,612	\$3,294
65-7/8	24	18	right	115 lb	20.4 ft	WRE	?	8SH7	?	\$2,612	\$3,294
			(2) 18 d x 18w adjustable shelves	3 lb	1.5 ft			WALT21818	?	\$284	\$327
			(2) 24 d x 18w adjustable shelves	3 lb	1.5 ft			WALT21824	?	\$306	\$353

Available Fronts E



# LOCKERS WITH ELECTRONIC LOCKS

SEE PAGE 4 FOR LAMINATES

## Laminate Quad Locker Electronic Lock

- Quad lockers do not include shelves. If desired, adjustable shelves may be ordered separately
- Each locker compartment includes (2) two-pronged coat hooks, one per side
- The four locker doors are keyed randomly in the factory
- The four locker doors hinge together, either left or right



Hinge Left

H	D	W	Hinge Location	Pkg Wt	Pkg Cube	Part #	Front Style	Part #	Lam/Edge #	TFL Price	HPL Price
65-7/8	18	24	left	142 lb	20.5 ft	WLE	?	4NJ7	?	\$3,970	\$4,833
65-7/8	18	24	right	142 lb	20.5 ft	WRE	?	4NJ7	?	\$3,970	\$4,833
			(2) 18d x 12w adjustable shelves	2.5 lb	1 ft			WALT21218	?	\$261	\$301
			(2) 24d x 12w adjustable shelves	4 lb	1.5 ft			WALT21224	?	\$281	\$324

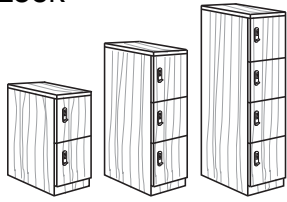
Available Fronts E

# CUBBY LOCKERS WITH ELECTRONIC LOCKS

SEE PAGE 4 FOR LAMINATES

## Laminate Single Wide Cubby Locker Electronic Lock

- Cubby locker doors are keyed randomly in the factory
- All Cubby locker doors hinge together, either left or right



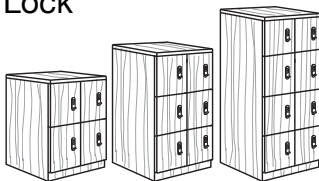
Hinge Right

H	D	W	Doors	Hinge Location	Pkg Wt	Pkg Cube	Part #	Front Style	Part #	Lam/Edge #	TFL Price	HPL Price
34-3/4	18	12	2 doors	left	50 lb	5.9 ft	WLE	?	6JT7	?	\$2,048	\$2,493
34-3/4	18	12	2 doors	right	50 lb	5.9 ft	WRE	?	6JT7	?	\$2,048	\$2,493
50-3/8	18	12	3 doors	left	70 lb	8.4 ft	WLE	?	5HT3	?	\$2,654	\$3,231
50-3/8	18	12	3 doors	right	70 lb	8.4 ft	WRE	?	5HT3	?	\$2,654	\$3,231
65-7/8	18	12	4 doors	left	89 lb	11 ft	WLE	?	5JT6	?	\$3,372	\$4,105
65-7/8	18	12	4 doors	right	89 lb	11 ft	WRE	?	5JT6	?	\$3,372	\$4,105

Available Fronts  E 

## Laminate Double Wide Cubby Locker Electronic Lock

- Cubby locker doors are keyed randomly in the factory
- All Cubby locker doors hinge together, either left or right



Hinge Left

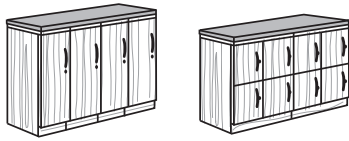
H	D	W	Doors	Hinge Location	Pkg Wt	Pkg Cube	Part #	Front Style	Part #	Lam/Edge #	TFL Price	HPL Price
34-3/4	18	24	4 doors	left	88 lb	11 ft	WLE	?	9HN7	?	\$3,816	\$4,724
34-3/4	18	24	4 doors	right	88 lb	11 ft	WRE	?	9HN7	?	\$3,816	\$4,724
50-3/8	18	24	6 doors	left	119 lb	15.7 ft	WLE	?	8HT1	?	\$5,177	\$6,410
50-3/8	18	24	6 doors	right	119 lb	15.7 ft	WRE	?	8HT1	?	\$5,177	\$6,410
65-7/8	18	24	8 doors	left	150 lb	20.5 ft	WLE	?	7HN6	?	\$6,622	\$8,198
65-7/8	18	24	8 doors	right	150 lb	20.5 ft	WRE	?	7HN6	?	\$6,622	\$8,198

Available Fronts  E 

# LOCKER COMMON TOPS AND DOOR LABEL

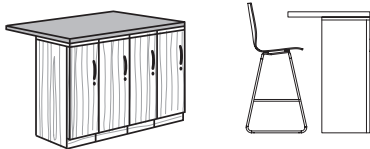
SEE PAGE 4 FOR LAMINATES

## Common Laminate Tops for Laminate Lockers



- Common tops are HPL, and are ordered separately for field installation
- Specify any standard GO laminate or special ordered laminate
- Top sizes allow for 1/8" overhang on all sides
- Common laminate tops will sit on top of individual locker tops

Laminate Top for Side-by-Side Lockers	W	D	Pkg Wt	Pkg Cube	Part #	Lam/Edge #	Price
(4) 12" wide x 18" deep lockers	48-1/4	18-1/4	38 lb	.7 ft	LK 1848	?	\$426
(3) 18" wide x 18" deep lockers	54-1/4	18-1/4	42 lb	.8 ft	LK 1854	?	\$496
(5) 12" wide x 18" deep lockers	60-1/4	18-1/4	46 lb	.9 ft	LK 1860	?	\$502
<b>Laminate Top for Side-by-Side Double Wide Cubby Lockers</b>							\$0
(2) 24" wide x 18" deep lockers	48-1/4	18-1/4	41 lb	.8 ft	LK 1848	?	\$426
(3) 24" wide x 18" deep lockers	72-1/4	18-1/4	64 lb	1.3 ft	LK 1872	?	\$680
(4) 24" wide x 18" deep lockers	96-1/4	18-1/4	95 lb	1.6 ft	LK 1896	?	\$798



39-7/8" h lockers with 12" overhang and Sly chair. Sides and front overhang 1/8"

Laminate Top for Bar-Height Island with Lockers	W	D	Pkg Wt	Pkg Cube	Part #	Lam/Edge #	Price
(4) 12" wide x 18" deep lockers (includes 12" overhang in back)	48-1/4	30-1/4	51 lb	1.0 ft	LK 3048	?	\$546
(3) 18" wide x 18" deep lockers (includes 12" overhang in back)	54-1/4	30-1/4	58 lb	1.2 ft	LK 3054	?	\$635
(5) 12" wide x 18" deep lockers (includes 12" overhang in back)	60-1/4	30-1/4	63 lb	1.4 ft	LK 3060	?	\$652

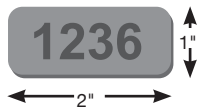
## Laminate Locker Ganging Kit



- Ganging kit is used to snug two lockers together so that between-locker seams stay tight
- Ganging kit includes drill point screws and instructions

	Pkg Wt	Pkg Cube	Part #	Price
kit to gang two lockers together	1 lb	.2 ft	WLCK 00025K	\$47

## Locker Door Number Plates



- Laser etched with any combination of numbers needed to permanently identify individual locker doors
- .024 stainless steel, 1" h x 2" w
- Includes a peel-and-stick adhesive (3M #468MP 5 mil PSA) that provides a permanent attachment to metal, laminate, and TFL doors
- Shipped separately from your locker order. Once lockers are set in place, the number plates may then be installed in the desired order
- Minimum order quantity of 25
- Please specify the quantity and number pattern needed
- If desired, number plates may also be ordered direct from our supplier. Call us for their contact information

### To calculate number plate price:

1. Choose the price per number plate (in table above) based on the quantity needed.
2. Multiply # of number plates by price per unit
3. Add \$75 net set-up fee for each order
4. Specify the range of numbers to be printed on the number plates
5. Include the ship-to address on your PO for your number plates, as they will be shipped separately from your lockers

Description	Part #	Order Qty	Price per unit
Stainless steel number plate	DOJ 0014	25-49	\$54
		50-99	\$28
		100-199	\$16
		200-299	\$12
		300+	\$10

**\$75 set-up fee must be applied to each order**  
**Small Order Freight Charge does not apply**

Sample price calculation for 80 number plates:  
 80 number plates x \$28 List: \$2,240 list  
 Apply 70% discount: \$672 net  
 Add \$75 net set-up fee: \$75 net  
 Total net price: \$747 net

## MULTIPLE COLOR DOOR INDICATION FORM

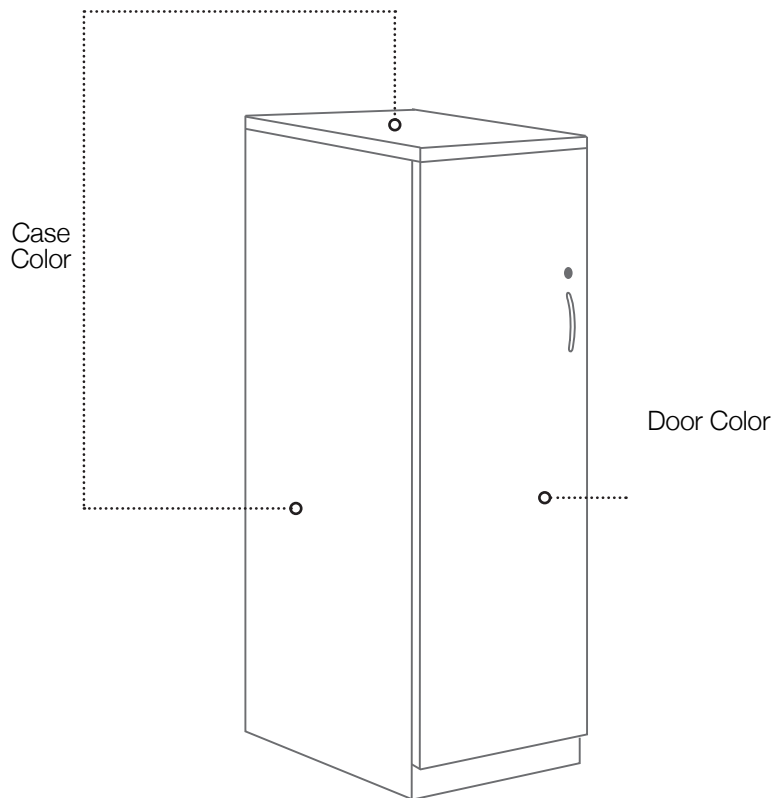


Use this form to indicate what custom laminates you would like on your locker. Use a separate form for each unique configuration.

Because laminate costs often vary, each of these custom lockers will need to be quoted by our sales team.

1. Use the diagram below to indicate which laminates go on case and each door.
2. Email this form along with your purchase order to customer service at [goorders@greatopenings.com](mailto:goorders@greatopenings.com).

### SINGLE DOOR LAMINATE LOCKER



## MULTIPLE COLOR DOOR INDICATION FORM

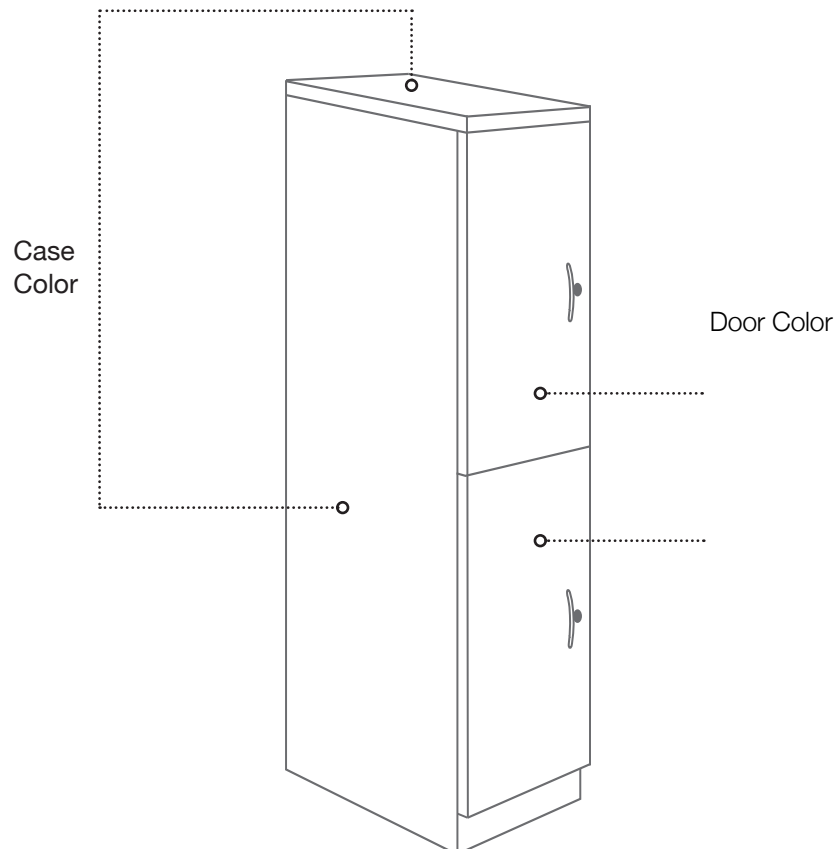


Use this form to indicate what custom laminates you would like on your locker. Use a separate form for each unique configuration.

Because laminate costs often vary, each of these custom lockers will need to be quoted by our sales team.

1. Use the diagram below to indicate which laminates go on case and each door.
2. Email this form along with your purchase order to customer service at [goorders@greatopenings.com](mailto:goorders@greatopenings.com).

### DOUBLE DOOR LAMINATE LOCKER



## MULTIPLE COLOR DOOR INDICATION FORM

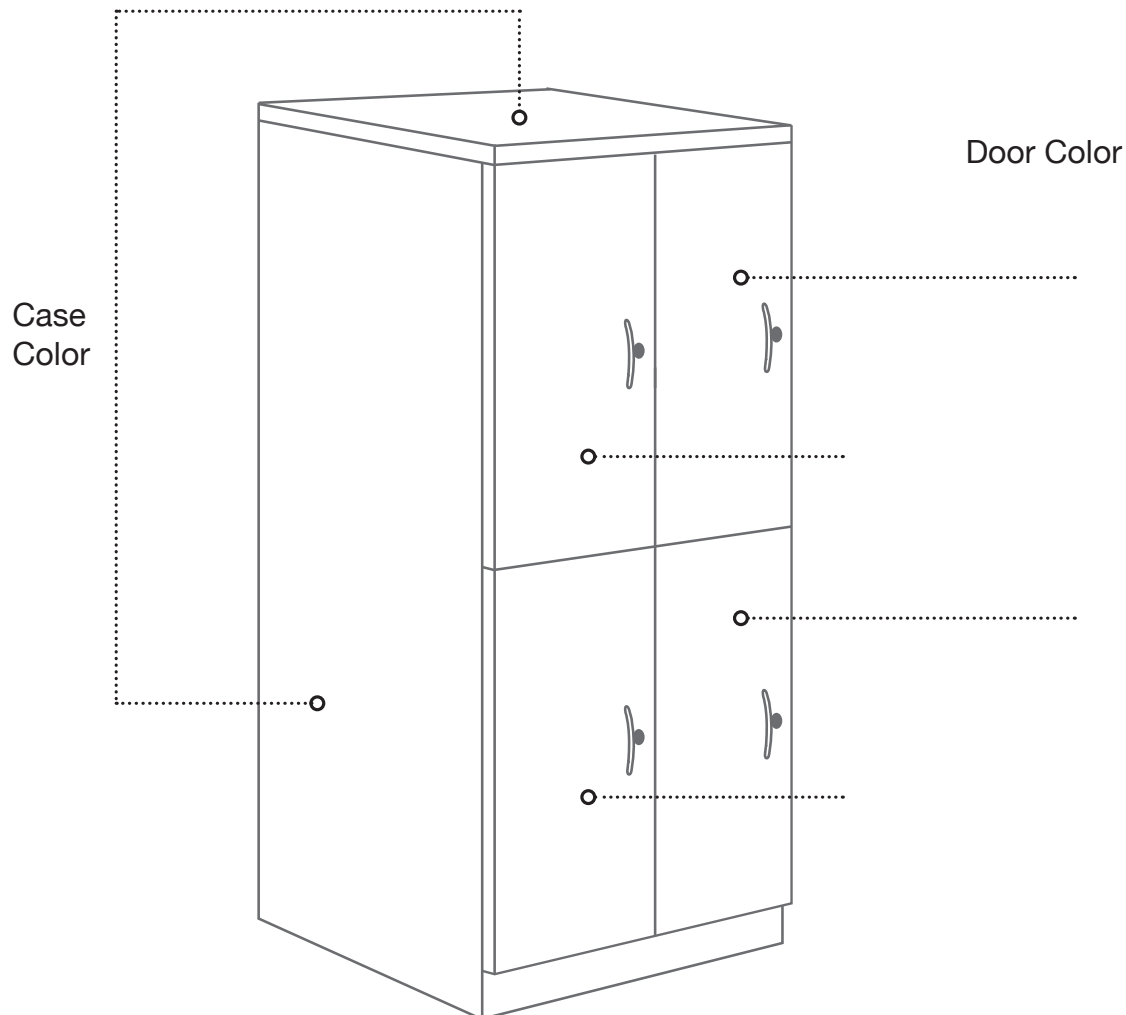


Use this form to indicate what custom laminates you would like on your locker. Use a separate form for each unique configuration.

Because laminate costs often vary, each of these custom lockers will need to be quoted by our sales team.

1. Use the diagram below to indicate which laminates go on case and each door.
2. Email this form along with your purchase order to customer service at [goorders@greatopenings.com](mailto:goorders@greatopenings.com).

### QUAD LAMINATE LOCKER



## MULTIPLE COLOR DOOR INDICATION FORM

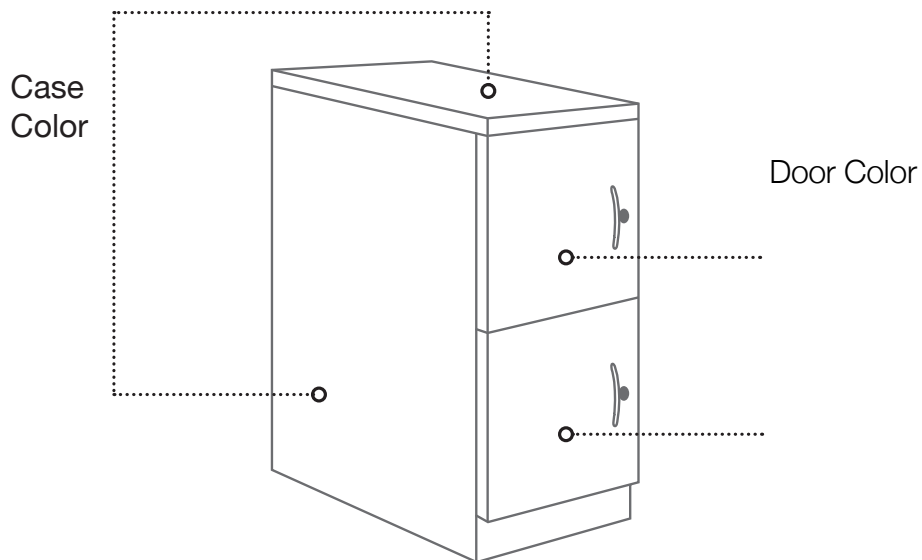


Use this form to indicate what custom laminates you would like on your locker. Use a separate form for each unique configuration.

Because laminate costs often vary, each of these custom lockers will need to be quoted by our sales team.

1. Use the diagram below to indicate which laminates go on case and each door.
2. Email this form along with your purchase order to customer service at [goorders@greatopenings.com](mailto:goorders@greatopenings.com).

### SINGLE WIDE 2-DOOR CUBBY LAMINATE LOCKER



## MULTIPLE COLOR DOOR INDICATION FORM

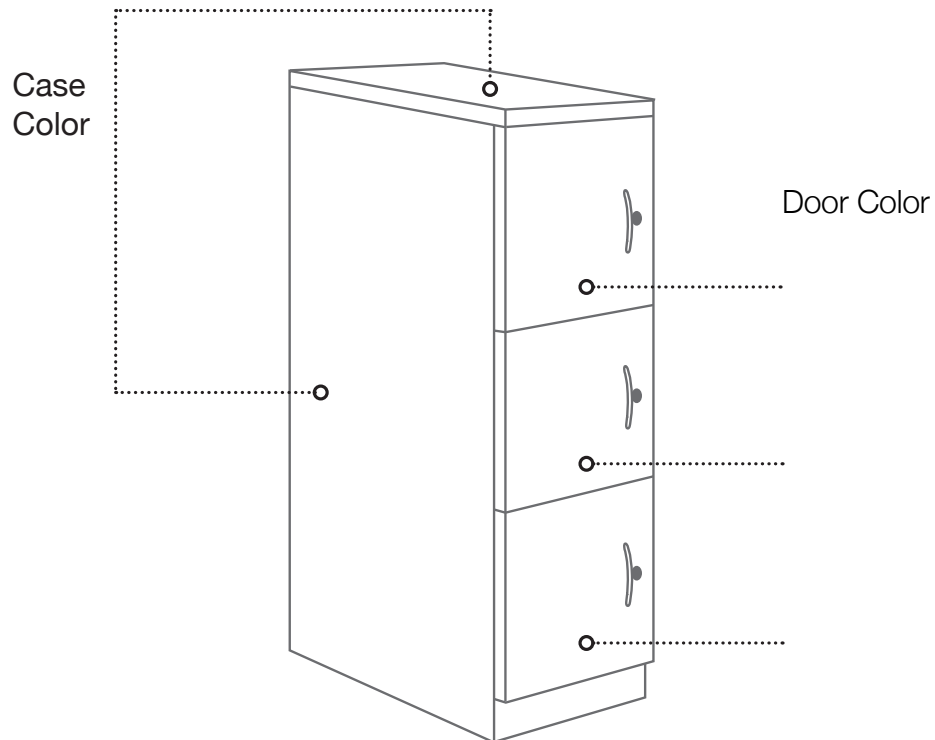


Use this form to indicate what custom laminates you would like on your locker. Use a separate form for each unique configuration.

Because laminate costs often vary, each of these custom lockers will need to be quoted by our sales team.

1. Use the diagram below to indicate which laminates go on case and each door.
2. Email this form along with your purchase order to customer service at [goorders@greatopenings.com](mailto:goorders@greatopenings.com).

### SINGLE WIDE 3-DOOR CUBBY LAMINATE LOCKER





## MULTIPLE COLOR DOOR INDICATION FORM

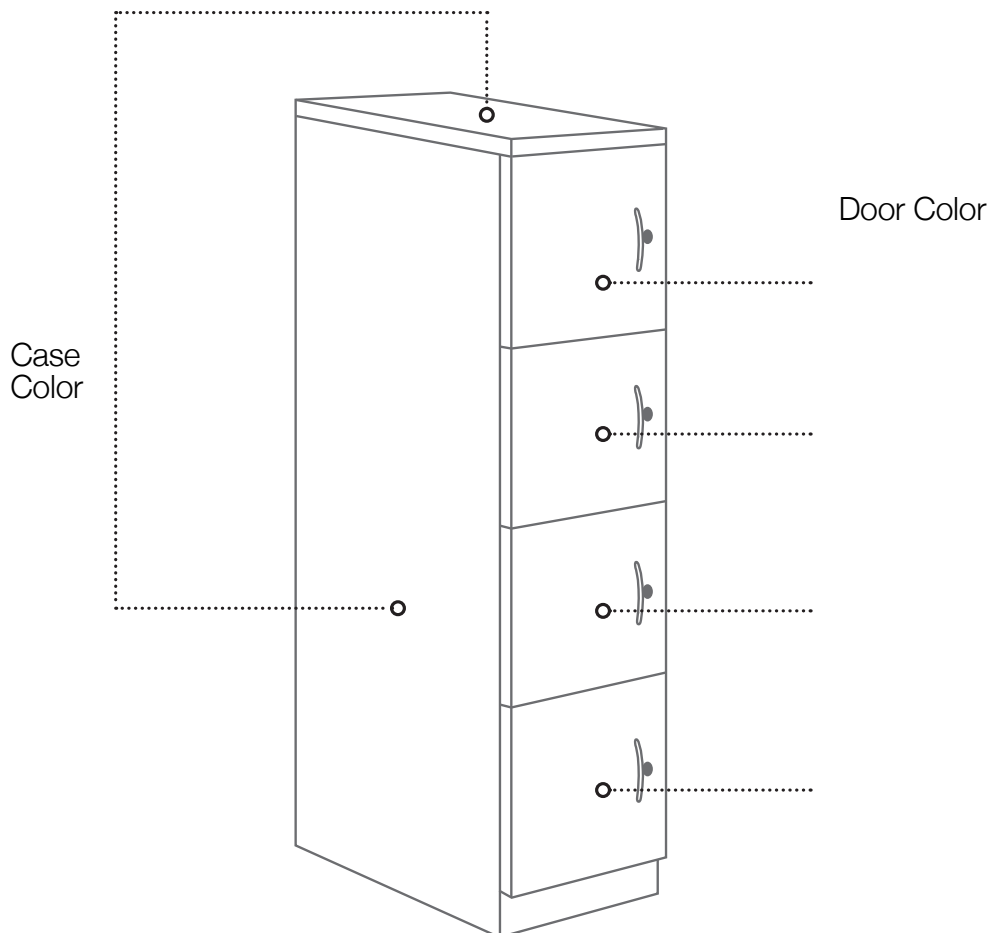


Use this form to indicate what custom laminates you would like on your locker. Use a separate form for each unique configuration.

Because laminate costs often vary, each of these custom lockers will need to be quoted by our sales team.

1. Use the diagram below to indicate which laminates go on case and each door.
2. Email this form along with your purchase order to customer service at [goorders@greatopenings.com](mailto:goorders@greatopenings.com).

### SINGLE WIDE 4-DOOR CUBBY LAMINATE LOCKER



## MULTIPLE COLOR DOOR INDICATION FORM

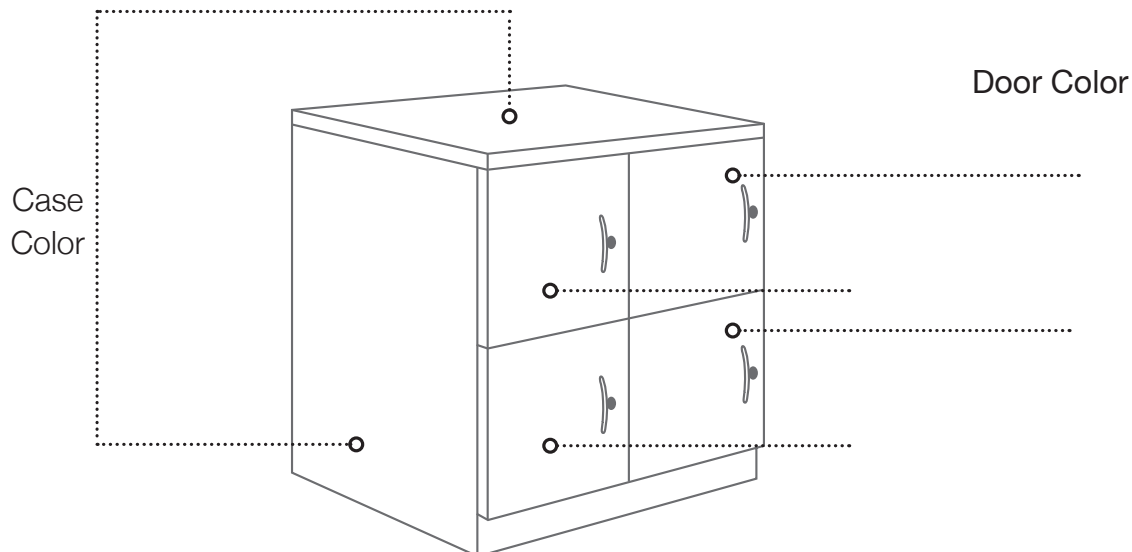


Use this form to indicate what custom laminates you would like on your locker. Use a separate form for each unique configuration.

Because laminate costs often vary, each of these custom lockers will need to be quoted by our sales team.

1. Use the diagram below to indicate which laminates go on case and each door.
2. Email this form along with your purchase order to customer service at [goorders@greatopenings.com](mailto:goorders@greatopenings.com).

### DOUBLE WIDE 4-DOOR CUBBY LAMINATE LOCKER



## MULTIPLE COLOR DOOR INDICATION FORM



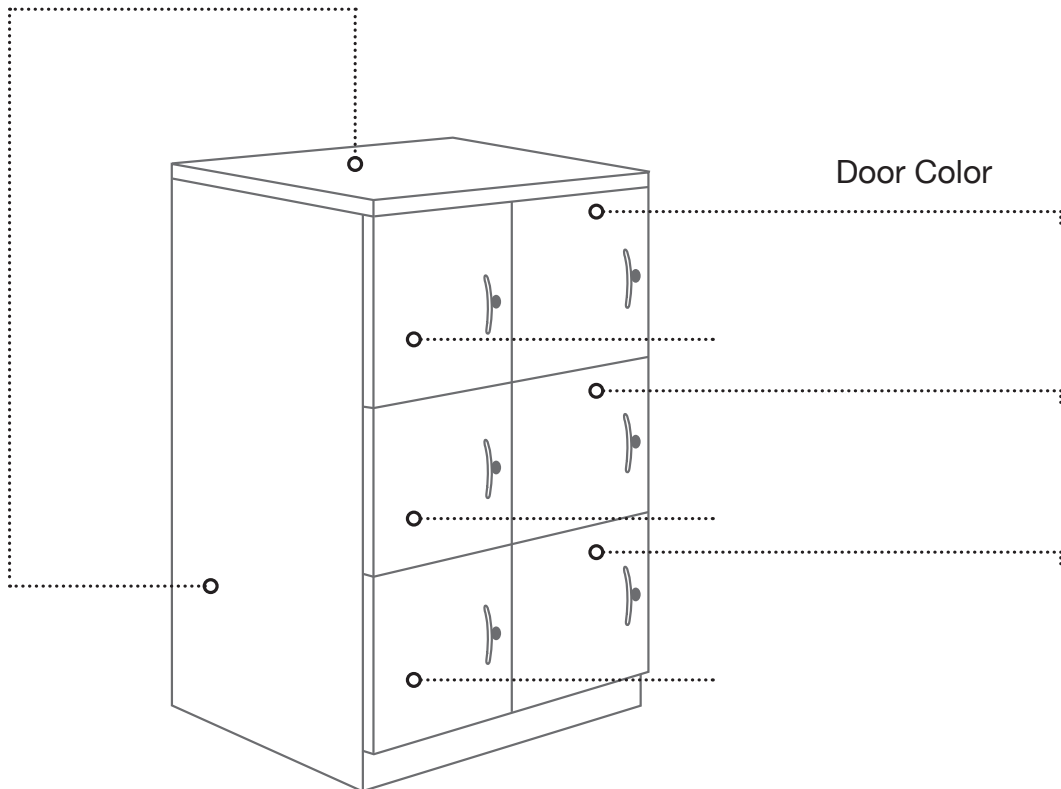
Use this form to indicate what custom laminates you would like on your locker. Use a separate form for each unique configuration.

Because laminate costs often vary, each of these custom lockers will need to be quoted by our sales team.

1. Use the diagram below to indicate which laminates go on case and each door.
2. Email this form along with your purchase order to customer service at [goorders@greatopenings.com](mailto:goorders@greatopenings.com).

### DOUBLE WIDE 6-DOOR CUBBY LAMINATE LOCKER

Case  
Color



Door Color

## MULTIPLE COLOR DOOR INDICATION FORM

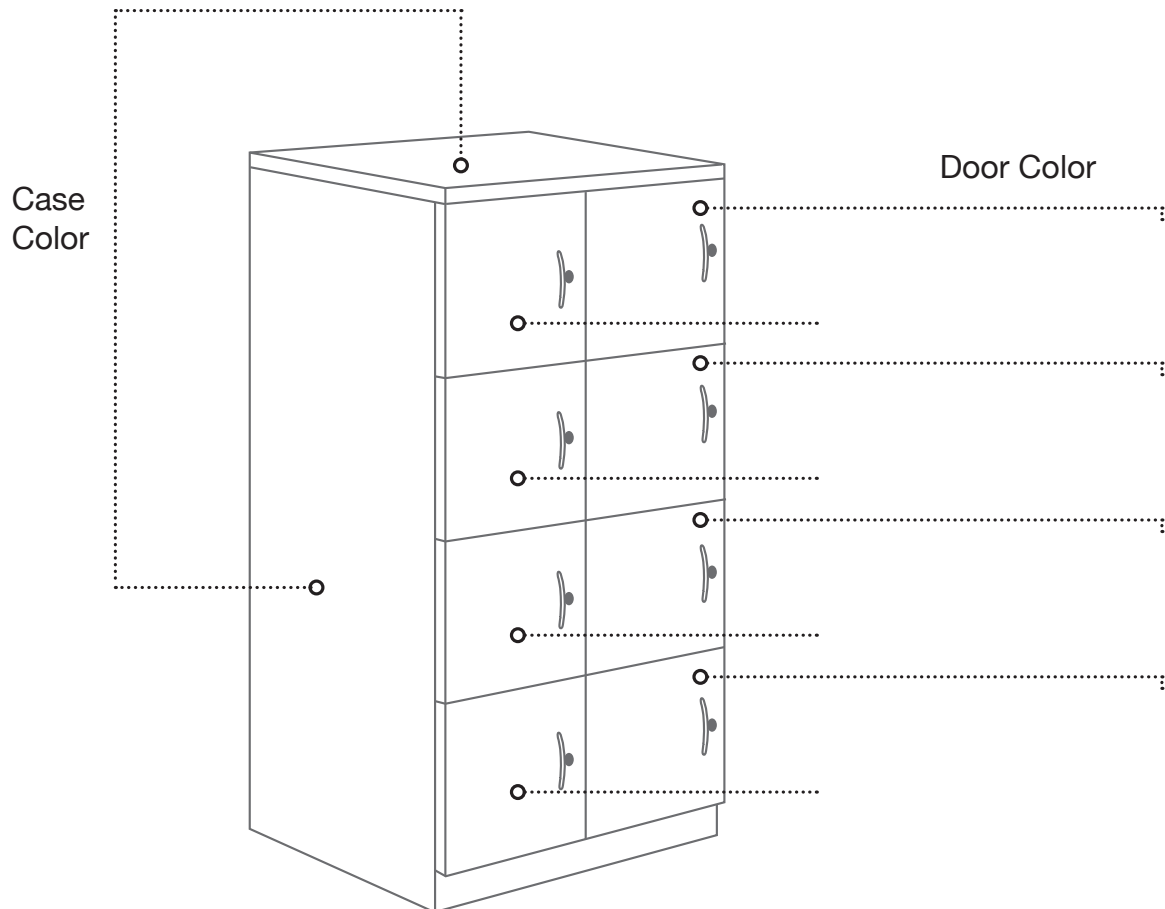


Use this form to indicate what custom laminates you would like on your locker. Use a separate form for each unique configuration.

Because laminate costs often vary, each of these custom lockers will need to be quoted by our sales team.

1. Use the diagram below to indicate which laminates go on case and each door.
2. Email this form along with your purchase order to customer service at [goorders@greatopenings.com](mailto:goorders@greatopenings.com).

### DOUBLE WIDE 8-DOOR CUBBY LAMINATE LOCKER



# COMMERCIAL TERMS & CONDITIONS

These conditions of sale supersede all previous selling policies. Prices, discounts, lead-times and product offerings are subject to change without notice.

## Order Placement

Great Openings requires that all orders be submitted in writing to avoid errors and/or duplication. Sales of all Great Openings' products are made only on the Company's standard terms and conditions of sale, unless modified in writing by an authorized Great Openings representative.

Orders received at Great Openings after 4:00pm EST will be processed the following day.

## Order Acknowledgement

We diligently issue order acknowledgements via e-mail within 24 hours of purchase order receipt. If you do not receive an acknowledgement within 24 hours, please call our Customer Service department to determine the reason; we may not have received your order, or we may have questions that are delaying order entry.

**PLEASE CHECK  
ACKNOWLEDGEMENTS  
FOR ERRORS  
IMMEDIATELY UPON RECEIPT.**

The order acknowledgement process is designed to ensure protection for both the buyer and the seller. We strongly urge the buyer to make sure the acknowledgement accurately reflects the intended purchase.

## Order Discrepancies

Great Openings will not be held responsible for extra costs due to errors resulting from purchase order inaccuracies. If and when a discrepancy is detected on the purchase order or acknowledgement, all corrections must be received in writing before further order processing can occur.

## Changes, Cancellations

Orders may not be changed, corrected or cancelled, in whole or in part, after Great Openings has issued its order acknowledgement without the written consent of an authorized Great Openings representative. Special order items (special or custom cabinets, Customer's Own Materials (COM) fabric and laminates) already in production are not subject to change or cancellation under any circumstances.

## Canadian Orders

Canadian orders may be processed using this price book. The pricing and payment terms included in this book are in U.S. funds. Custom brokerage fees and GST/HST taxes will be charged as separate line items on the invoice. All prices are freight included; FOB: Destination. A Regional Small Order Freight Charge applies to all orders less than \$5,000 list (does not apply to accessory orders). See regional map for applicable fee.

## Lead-Time

Lead-times are measured in working days, and begin after receipt of clean order.

Lead-times may change without notice. Stated lead-times will not commence until purchase order is actually entered into our system. We are not responsible for delays caused by order discrepancies or late receipt of COM items.

## Special Shipping Instructions

Great Openings will accommodate special shipping/delivery requests whenever possible. Purchaser will be responsible for any and all extra costs incurred by reason of Great Openings complying with a special shipping request. Examples of special requests that may cause extra charges (dollar amounts shown are approximate, actual amounts may vary):

- special carrier/lift gate: starting at \$85.00
- inside delivery: starting at \$50.00
- expediting, re-consignment, delays causing carrier storage: starting at \$50.00
- truck load delivery times after 3:00 pm, Monday through Thursday start at \$400
- truck load delivery after 3:00 pm, on Friday: \$800
- delivery times outside normal business hours including weekends and holidays: starting at \$450.00 per truck
- exact, narrow scheduling window (elevator time): starting at \$150.00
- non-commercial/residential deliveries: starting at \$60.00

The maximum amount of time allowed for off-loading product from trailers is 3 hours. Carrier costs associated with any additional delivery time will be charged to the dealer. Any additional charges that result from the purchaser failing to accept a shipment as agreed upon will be the responsibility of the purchaser.

## Special Delivery Charges

Once a delivery truck arrives at a destination, if the recipient is not ready to accept delivery as scheduled and the truck must wait, deliver "after hours", or make a second drop at a later time, the carrier charges a penalty for that delay which Great Openings must pass on to the customer.

These charges are as follows (dollar amounts shown are approximate, actual amounts may vary):

- Night Delivery:  
 3:30-4:30 p.m.: \$400 additional charge  
 4:30-5:30 p.m.: \$450 additional charge  
 5:30 p.m. and later: \$500 additional charge  
 Detention fee will be \$75 per hour after two hours. Drop charge will be \$75 per drop.

Weekend and holiday deliveries will be quoted per load depending on location and delivery time.

Please use caution when planning and communicating delivery requirements so that these exorbitant fees will not be necessary.

## Key-Alike Services

Key-alike service is offered free of charge provided the key-alike request is associated with an order for a matching quantity of cabinets. Additional key/core sets, master and core keys are available for a nominal charge. All Great Openings products are keyed randomly prior to shipment. Special cores and keys are shipped separately to be changed-out in the field. See the Specification Guide in the front of this book.

## COM & Fabric Grades

If COM materials are difficult to apply or inadequate, Great Openings reserves the right to apply extra charges or to cancel the order. Great Openings has no control over COM material quality or performance and will not be held responsible for material defects or damage caused by improper use or application.

## Limited Lifetime Warranty

Great Openings warrants its Great Openings brand Metal Case-goods, Trace and Cayenne Desks, Files, Storage, Lockers and Sparkeology products to be free from defects in materials and workmanship for the life of the product, except as set forth below. This warranty applies to Great Openings products delivered in the United States and Canada and is non-transferable. The warranty is valid from the date of delivery to the End User. This warranty does not cover ordinary wear and tear, improper installation, outdoor use, or direct mis-use of the product. This warranty does not apply to Customer's Own Materials (COM) for fabric, laminates, or edge bands. In addition, supplier warranties will apply to products not manufactured by Great Openings. End User means the final purchaser acquiring a product from Great Openings or the Great Openings Dealer channel for the purchaser's own use and not for resale, remarketing or distribution. Great Openings will not be liable for loss of time, inconvenience, commercial loss, incidental or consequential damages.

## EXCEPTIONS TO THE LIFETIME COVERAGE

### Laminate Lockers – 12 years

Single, Double, Multi-purpose, Quad, and Cubby Laminate Lockers and includes both TFL and HPL options.

### Tables – 5 years

Sparkeology Line Products: Pete and Oscar

### Seating and Tables – 2 years

Height Adjustable Tables, Sparkeology Line Products: Ben, Manny, Sly, Sophia, Cupcake, and Lily

### High Wear Parts – 1 year

Mobile Storage Casters, Gas Rods, Cushion Pads, Hinges, Power and Electrical components

### Surfaces Materials Disclaimer:

- Exact matching of surface finishes, including an exact match to cuttings, samples, or swatch cards are not covered.
- Changes in surface finishes and colorfastness due to aging, exposure to artificial light or exposure to direct sunlight are not covered.

### Credit Card Transaction Fee

Credit card payments in excess of the following thresholds will be subject to a 2.16% transaction fee. Please note that Great Openings also accepts payments via ACH, wire transfer, and check – all free of charge.

Type of Sale	Credit Card Threshold (per sales order)	Fee Assessed for Amount Over this Threshold
Commercial	\$10,000.00	2.16%
GSA: Project in USA	\$20,000.00	2.16%
GSA: Project outside of USA	\$30,000.00	2.16%

# COMMERCIAL TERMS & CONDITIONS

## Regional Pricing

Great Openings reserves the right to adopt regional discount programs and small order freight charges to address the freight cost impact applicable to each geographic region. A buyer's region will be determined by shipping destination.

## Payment Terms

Orders are invoiced at the time of shipment and payment is due upon receipt of the invoice. Invoices unpaid thirty (30) days after the invoice date are subject to a late payment charge in the amount of one and one-half percent (1-1/2%) per month on the unpaid balance until paid. Great Openings reserves the right to modify or establish special credit arrangement for any customers at any time at its sole discretion. All prices are subject to change without notice.

## Remit to:

**Great Openings**  
**Dept. for Lockbox: 9521-11**  
**PO Box 30516**  
**Lansing, MI 48909-8016**

## Taxes

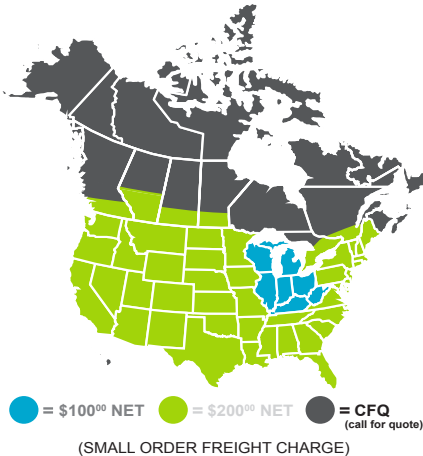
All sales, use, excise and other applicable taxes (excluding only taxes on the net income of Great Openings) are the purchaser's responsibility and will be invoiced to the purchaser. If purchaser claims an exemption from such taxes, it shall be the purchaser's responsibility to furnish an appropriate exemption certificate to Great Openings.

For Canadian orders, Great Openings does invoice and collect for GST/HST.

## Freight Policy

All prices are freight included, F.O.B. Destination. Prices are based on a single shipment to a single location. A Small Order Freight Charge applies to all orders less than \$5,000 list (does not apply to orders for accessories).

See the map below for Small Order Freight Charge by destination. Effective March 1, 2017, orders totaling less than \$5,000 list that are shipped to Michigan, Wisconsin, Illinois, Indiana, Ohio, Kentucky, and West Virginia a Small Order Freight Charge of \$100 net will apply. For orders totalling less than \$5,000 list that are shipped to the remainder of the continental U.S. and southern portions of Canada as shown on the map, a Small Order Freight Charge of \$200 net will apply. For



. Alaska, Hawaii, and all other portions of Canada, please call for a quote.

## Standard Packaging

All Great Openings' products are packaged in accordance with industry standards and common carrier requirements. Pedestal products are individually boxed with polystyrene corner guard inserts, then palletized, and shrink wrapped. Lateral and storage product packaging consists of corrugated top and bottom trays, corner guards, palletized, shrink wrapped and labeled. For full truckloads only, upon special requests, we can provide a blanket wrapped shipment; please call for a quote.

## Shipment and Delivery

Freight is included in the prices as displayed in this price book. All shipments are FOB destination: free freight to destination in the continental United States. Shipments outside the contiguous 48 states will be freight collect from exit port. Exception for Canadian shipments; see the section on Canadian orders. Great Openings will select the mode and carrier of shipment.

- Partial shipments may be necessary and are at the discretion of Great Openings.
- Great Openings cannot guarantee exact time of delivery.
- Any charges resulting from late deliveries beyond our control are not the responsibility of Great Openings.
- Ship dates contained in order acknowledgements are estimated and not guaranteed.

Great Openings will often consolidate orders to maximize shipping efficiency. In these situations, a customer's designated ship date may change, though Great Openings will make every effort to ensure that requested delivery dates are still met.

## Product Storage Fees

Once an order enters production, it is not possible to stop production on that order if a last-minute request is made to delay shipment. If it is absolutely necessary to hold the product at Great Openings for a later ship date, a holding fee of \$7 net per pallet or \$100 net per trailer will be assessed each week and partial week until the product ships. Weekly storage fees will be the responsibility of the purchaser on any delayed shipment of a produced order.

## Returns

Great Openings will not accept returned goods.

## Claim Policy

**It is the purchaser's responsibility to examine goods upon receipt and to notify Great Openings customer service with any concerns. Any claims against Great Openings for apparent defects, errors or shortages must be made by the purchaser within five (5) working days after any delivery. Failure by the purchaser to make any claim against Great Openings within (5) days shall constitute acceptance of the goods and waiver of any apparent defects, errors or shortages.**

## Freight Damage Claims

Great Openings' terms are FOB destination, Great Openings is not responsible for damage that occurs in transit. All Great Openings' products are carefully inspected prior to shipment. The carrier signs for all goods received in apparent good order.

**It is the buyer's responsibility to inspect goods upon receipt for both apparent and concealed damage. In the rare instance where shipping damage is found, we ask the purchaser NOT to refuse shipment. Accepting shipment will give us more opportunities to remedy the situation through parts (fronts, tops) replacement and within the guidelines of the stated terms.**

## Claim and Replacement Policy

In the case of documented shipping damage, Great Openings will file a claim with the carrier and issue at no charge any replacement parts or product only if the purchaser meets the following conditions:

- Product is shipped via a Great Openings designated carrier
- Accept the shipment
- Retain packaging
- Inspect the shipment and document damage on the bill of lading
- Contact Great Openings immediately upon discovery and documentation of damage

Failure of purchaser to meet these conditions will prevent Great Openings from obtaining carrier reimbursement and thereby require us to charge full price for product replacement.

**Great Openings is not responsible for labor or trip costs associated with freight damage product replacement.**

## Concealed Damage Policy

Concealed damage (damage discovered after acceptance with no bill of lading documentation) should be reported to Great Openings immediately upon discovery. Please retain packaging and request carrier inspection immediately. Carrier liability ceases 7 calendar days after receipt of shipment. Great Openings will investigate on a case-by-case basis. In any case, Great Openings assumes no liability beyond the 7-day carrier liability and reserves the right to apply no remedy and/or various remedies dictated by individual event circumstances.

The buyer may make NO DEDUCTION UNDER ANY CIRCUMSTANCES ensuing from freight claims when settling invoices with Great Openings.

## Service

Please contact Great Openings with any service concerns:

Great Openings  
902 E. Fourth Street  
Ludington, MI 49431  
Ph: 888-712-8582





**902 East 4th Street**  
**Ludington, MI 49431**  
**Telephone: 888-712-8582**  
**Web: [www.greatopenings.com](http://www.greatopenings.com)**  
**E-mail: [goorders@greatopenings.com](mailto:goorders@greatopenings.com)**