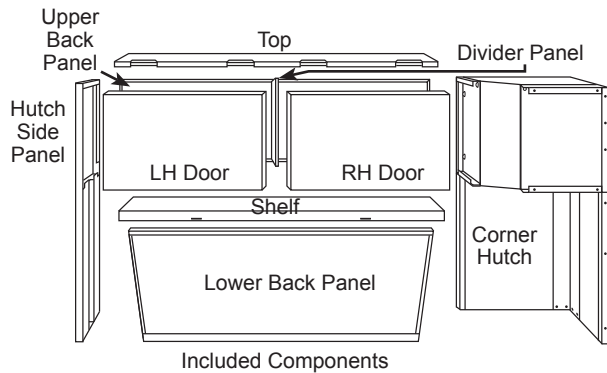
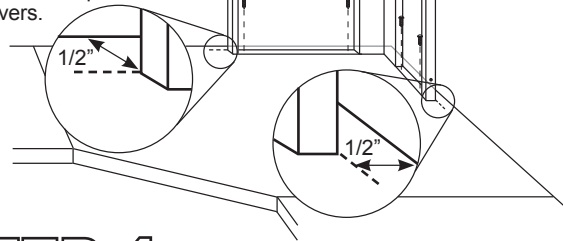


# CORNER HUTCH AND RETURN HUTCH ASSEMBLY

RTHX00025



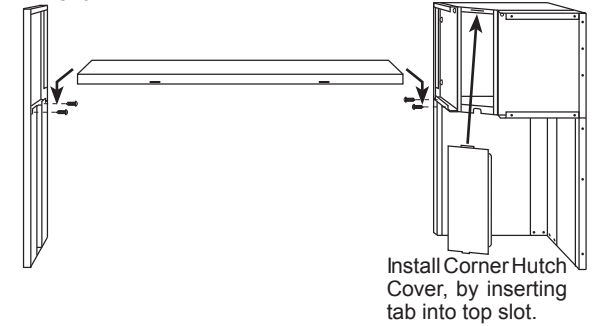
Carefully place the **Corner Hutch** into position, taking care to not scratch the work surface. Allow for 1/2" set back from each work surface edge. Remove the metal panel covers from the inside back, and after drilling 1/8" starter holes, drive (4) work surface screws through the Corner Hutch and into the work surface. Replace the metal panel covers.



## STEP 1

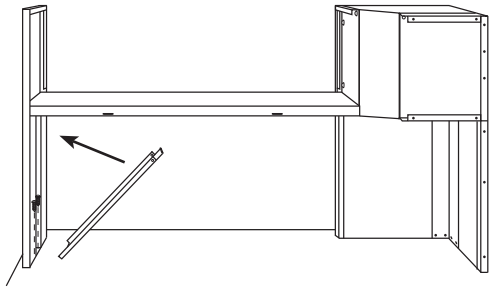
## STEP 2

Install the **Return Hutch** by first removing the wire management cover from the Hutch Side Panel. Attach the **Hutch Return Shelf** to the Hutch Side Panel and Corner Hutch. Drive (4) sheet metal screws into place as shown.



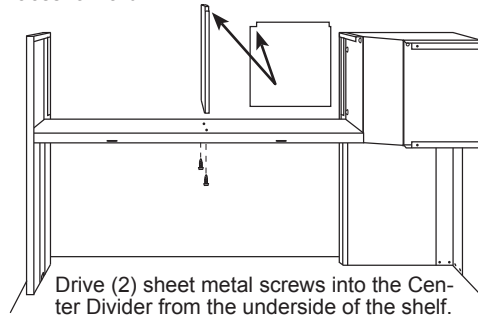
## STEP 3

Anchor the **Side Panel** of the Return Hutch to the work surface by first drilling 1/8" starter holes and then driving (2) work surface screws into place.



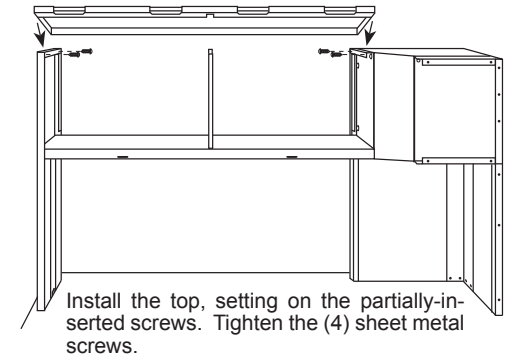
## STEP 4

Attach the **Center Divider** (included only on Return Hutches 48" and wider) to the shelf. Position the Center Divider so that the larger corner notch faces forward.



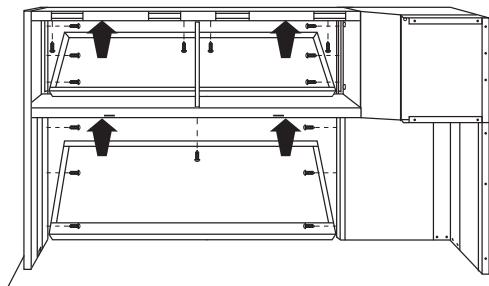
## STEP 5

Assemble the **Return Hutch Top** by first partially inserting (4) sheet metal screws in the top of the Side Panel and Corner Hutch.



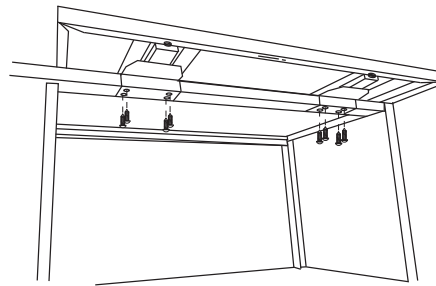
## STEP 6

To install the **Return Hutch Back Panels**, slide first one and then the other position, and fasten with sheet metal screws.



## STEP 7

Lay the **Hutch Door(s)** on top of the Return Hutch Top, aligning hinge mounting brackets with holes underneath the top flange. Fasten with sheet metal screws. The door should cycle and lock smoothly.



## STEP 8

Install the **Desk Hutch Tack Board** by inserting the upper edge into the upper flange of the back panel. Press the sides and bottom of the board against the back panel until it slides down and behind the rubber wire management strip.

